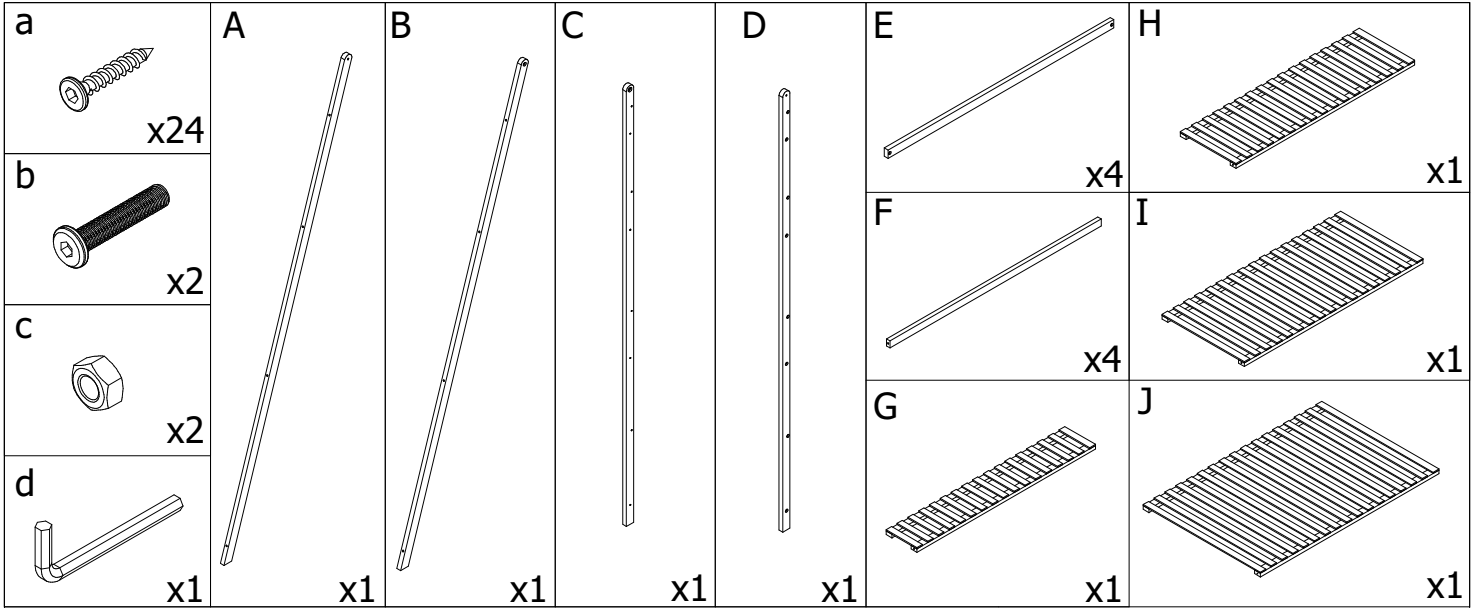
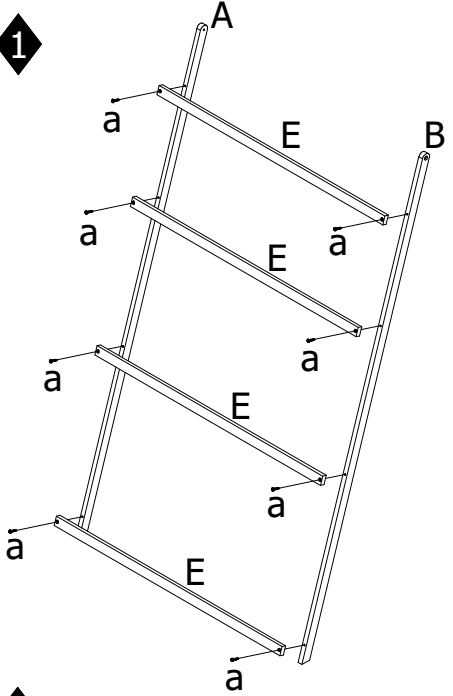


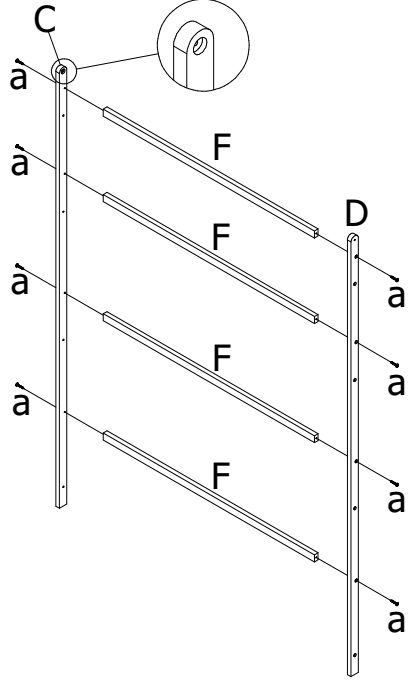
# NEPEL TYP2



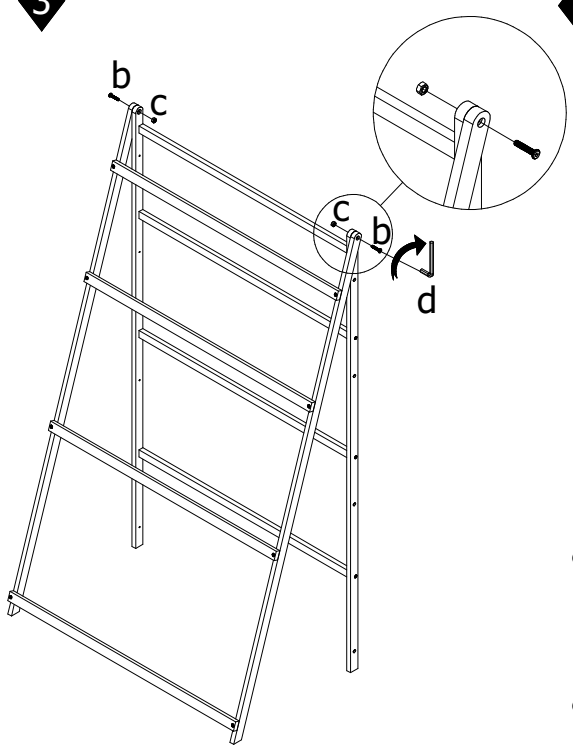
1



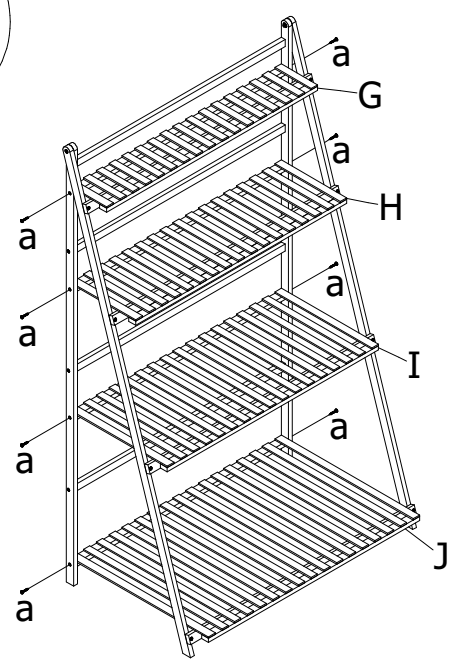
2



3



4



5

